



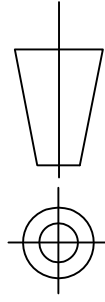
Optical Lens Specification:
 Focusing Range 60cm to Infinity
 Focal Length 3.0mm
 F Number 2.8
 Fov(D) 60°
 TV Distortion <1%

PIN NO	NAME	PIN NO	NAME
1	NC	13	MCLK
2	AGND	14	D8
3	SDA	15	DGND
4	AVDD(2.8V)	16	D7
5	SCL	17	PCLK
6	RESET	18	D6
7	VSYNC	19	D2
8	PWDN	20	D5
9	HSYNC	21	D3
10	DVDD(1.8V)	22	D4
11	DOVDD(2.8V)	23	D1
12	D9	24	D0

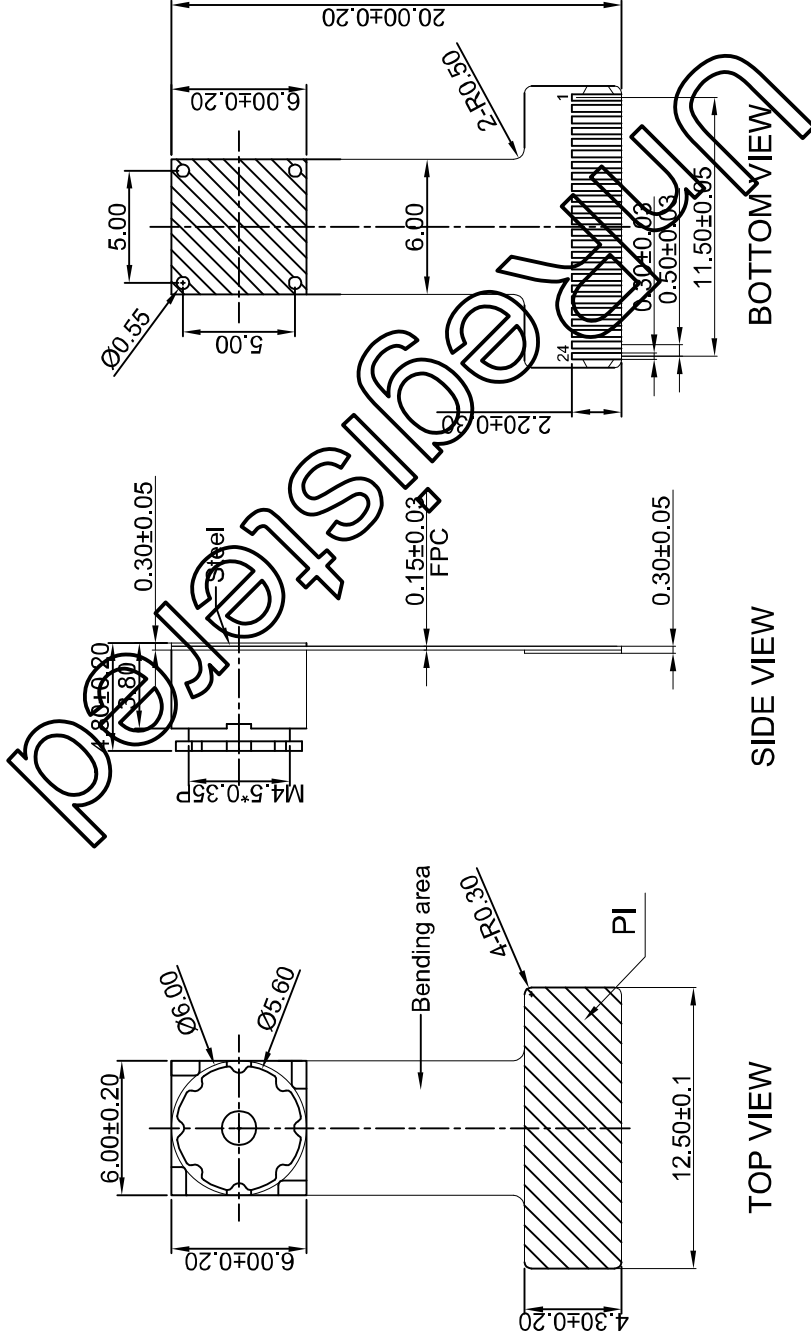
NO	ITEM	Q'TY	DESCRIPTION
1	PI	1	
2	Steel	1	
3	FPC	1	
4	TAKING LENS	1	
5	Sensor	1	GC0309
6	Test Connector	1	00 6238 024 010 800

DWG NO:

SHEET	1OF1	REV	1.0
SCALE	3:1	UNIT	MM



advert:
 basic tolerance: ±0.15mm
 label have "*"is emphasis dimension



Note:# Image direction register use default settings.
 Output format: YUV output

NO	Description of revision	Revised	Date
1			
2			
3			
4			

Customer Approval	
Check	Approval

SANMTEC CO., LIMITED

PRODUCT NAME:	DATE	DATE	DATE
Customer			
	DRAWER	CHECK	APPR